

THE CONTINUOUS INKJET PRINTER FOR EXTRUSION

Dedicated to the pipe, cable, tube and profile industries, the 9450 E combines a premium ink circuit with a next generation printhead design that will ensure the quality of your codes even on dark substrates with an optimized TCO.

Optimize your operating time and expenses

- **Up to 3,000* km of cable printing**
Without printhead cleaning.
- **Reduced TCO****
20% ink savings without compromising on contrast.
- **Reduced additive consumption**
Only 3 ml/h at 20 °C.
- **High speed**
Up to 1,000 m/min for wire harnessing applications.
- **Smart consumable system**
No set-up required.
- **Mistake-proof user interface (UI)**
Even when entering long messages.



Precision all the way, every time

- **Precise, even on the tiniest of wires**
Can code wires as small as 1mm character height.
- **Precise when using the embedded metering function**
2 mm tolerance.
- **Precise at start-up**
Its automatic cleaning system, coupled with **Intelli'Jet** technology, provides clean, hassle-free start-ups and high quality codes, every time.
- **Precise after maintenance**
Its modular **Intelli'Swap** design, with an extrusion-dedicated bracket which can be repositioned single-handed in one second, makes maintenance easy.



Extrusion-dedicated UI: metering, interleaving of 2 messages, quick access to counter setting, tolerance optimization, etc.

Specialty inks for contrasted and durable codes

- **Premium inks designed for rough environmental conditions**
Part of our **Intelli'Ink** system, they are fast drying and non-migrating with resistance to UV, automotive fluids, underwater environments, vulcanization, etc.
- **Long-lasting codes, even on PE**
Through dedicated inks specially formulated and tested for high contrast and perfect adhesion on a wide variety of surfaces, including the most difficult ones (PVC, PE, LSZH, PP, etc.).
- **Multiple colors**
Black, white, orange, blue, green, red and yellow as well as a one-ink-fits-all silver.
- **MEK-free options**
A wide array of inks (including a white one) which reduce VOC emissions and enhance employee safety, while simplifying paperwork, particularly when exporting.



Choose from a wide range of inks or streamline logistics and costs with the one-ink-fits-all silver.

*Metering application based on 190 million characters printed **TCO: Total Cost of Ownership. Compared to other competitive model in the same category

9450 E - Specifications

Print features

- Mono-jet printhead
- G head (printing resolution: 71 dpi) or M head (printing resolution: 115 dpi)
- Up to 5 lines of print
- Print speed: up to 1,000 m/min
- Font height from 5 to 32 dots
- Character height: from 1 to 11 mm
- Wide choice of 1D and 2D barcodes: EAN8/EAN13/GS1-128/UPCA/UPCE barcodes, code 39, code 128, interleaved 2 of 5, Datamatrix, QR code
- Wide choice of characters: Latin, Arabic, Cyrillic, Hebrew, Japanese, Chinese, Korean etc.

PC software

- Compatible with CoLOS® Base, CoLOS Line and and CoLOS Factory
- Logo creation with CoLOS Graphics
- OEM protocol compatibility: Komax, Schleuniger etc.

Operations

- Message library (up to 1,000 messages) International operator/machine interface with a wide choice of languages
- WYSIWYG 7-inch wide touch screen: real-time display of remaining print capacity expressed in hours and number of messages; integrated assistance and alert system; simplified message printing and management; creation of user profiles; tracking of consumption and printer availability
- Additional functionalities: metering, interleaving of 2 messages, on-the-fly production changes, quick access to counter setting, optimization of tolerance control, chimney characters, DIN mode
- USB and SD ports
- Intelli'Jet guarantees marking quality
- Automatic selection of fonts, depending on print speed and printhead/object distance
- Premium ink circuit to run all types of inks
- Intelli'Ink system: broad range of multi-use, high-performance or high-contrast inks, including MEK-free option
- Sealed 0.8-liter cartridges with foolproofing system
- Intelli'Swap design for quick connect/disconnect of accessories (photo cell, alarm, encoder, bracket)
- Parent/child connectivity
- Ethernet connectivity
- Specific date management (rounding date function)

Other characteristics

- Weight: 25 kg
- Table-top or vertical mounting
- Ultra-flexible 3-meter umbilical cable
- Stainless steel cabinet and printhead case
- Dust/humidity protection rating: IP56 not requiring plant air
- Operating temperature range: 0 to 45 °C depending on printer model and ink used
- Humidity: 10 to 90% non-condensing
- Electrical power supply: 100-120 V or 200-240 V with automatic switching; frequency 50/60 Hz; power 60 VA

Options

- Printhead pressurization kit
- IP66 protection (requires plant air)
- 9450 Ec for pigmented ink use
- Enhanced autonomy kit
- RS-232/422 connectivity, parallel interface, many I/O possibilities to enable remote operation
- Ultra-flexible 6-meter umbilical cable

Accessories

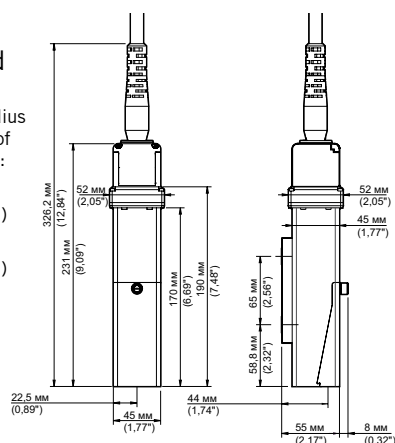
- Printer supports: stands (stainless steel or aluminum), table or wall mounting brackets
- Printhead stand (stainless steel) and different, quick fit printhead brackets (single-handed repositioning in 1 second)
- Photocells; encoders; alarm beacons (24 V)



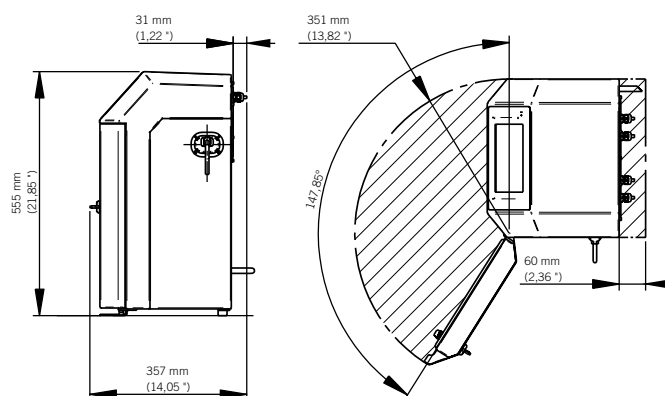
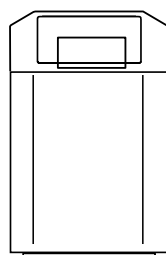
Printhead

Minimum radius of curvature of the umbilical:

- Static: 100 (3.93 ")
- Dynamic: 150 (5.90 ")



Cabinet



We reserve the right to amend the design and/or specifications of our products without notice.
© 2020 Markem-Imaje. All rights reserved.

Markem-Imaje
Global Sales & Marketing Division
9, rue Gaspard Monge
B.P. 110
26501 Bourg-lès-Valence Cedex France
Tél. : +33 (0) 4 75 75 55 00
Fax : +33 (0) 4 75 82 98 10



markem·imaje

a **DOVER** company

To learn more, visit www.markem-imaje.com